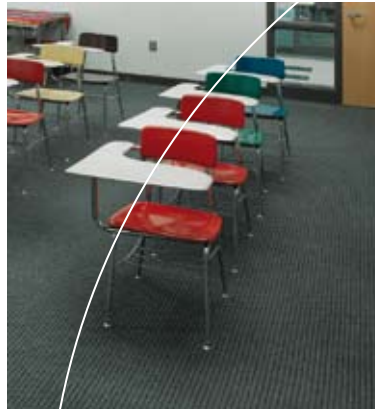


R3



Compact, Rapid-drying Carpet Cleaner

- Turn congested areas quickly; with patented ReadySpace technology carpet is clean, dry, and ready for use in less than 30 minutes
- Clean compact spaces easily with ultra-low profile, compact design
- Quietly clean with true OSHA recognized 69 dBA sound level



Carpets cleaned with ReadySpace technology are dry and ready for foot traffic in less than 30 minutes.

Fresher, Healthier Environments

ReadySpace helps reduce mold and bacteria growth and leaves cleaner, healthier spaces by using up to 80% less water to clean, and leaving up to 90% less water in the carpet.

Increase productivity in tight spaces

Clean with ease in tight, congested areas, such as office spaces, with near effortless forward and reverse cleaning action.

The ultra-low profile design and quick-adjust handle extends your cleaning reach under low profile desks and tables.

Easy to fill and empty tanks

Easy to fill, empty, and clean Hygenic lift-off tanks offer a unique compact design. Ergonomic handles and grips ensure easy pick up.



BEAUTIFULLY CLEAN, ALWAYS READY CARPET SPACES

Improve carpet appearance and luster with ReadySpace's exclusive soil transfer rollers that lift and remove the dirt vacuuming leaves behind. The results are exceptional:

- Remove dirt and debris with virtually no wickback.
- Keep high-traffic areas looking new with frequent cleanings.
- Minimize chemical usage and buildup.
- Extend the time between deep extractions.
- Maximize carpet life. ReadySpace technology will not damage carpet (unlike bonneting).



FROM CLEAN TO CROWD IN MINUTES

Reopen spaces sooner with ReadySpace technology



First Shift

6:30 AM – Cleaning crew finishes cleaning small office space with Tennant R3.

7:00 AM – Carpet is clean, dry, and ready for office traffic.



Check In

2:30 PM – Housekeeping finishes cleaning the hotel room with Tennant R3.

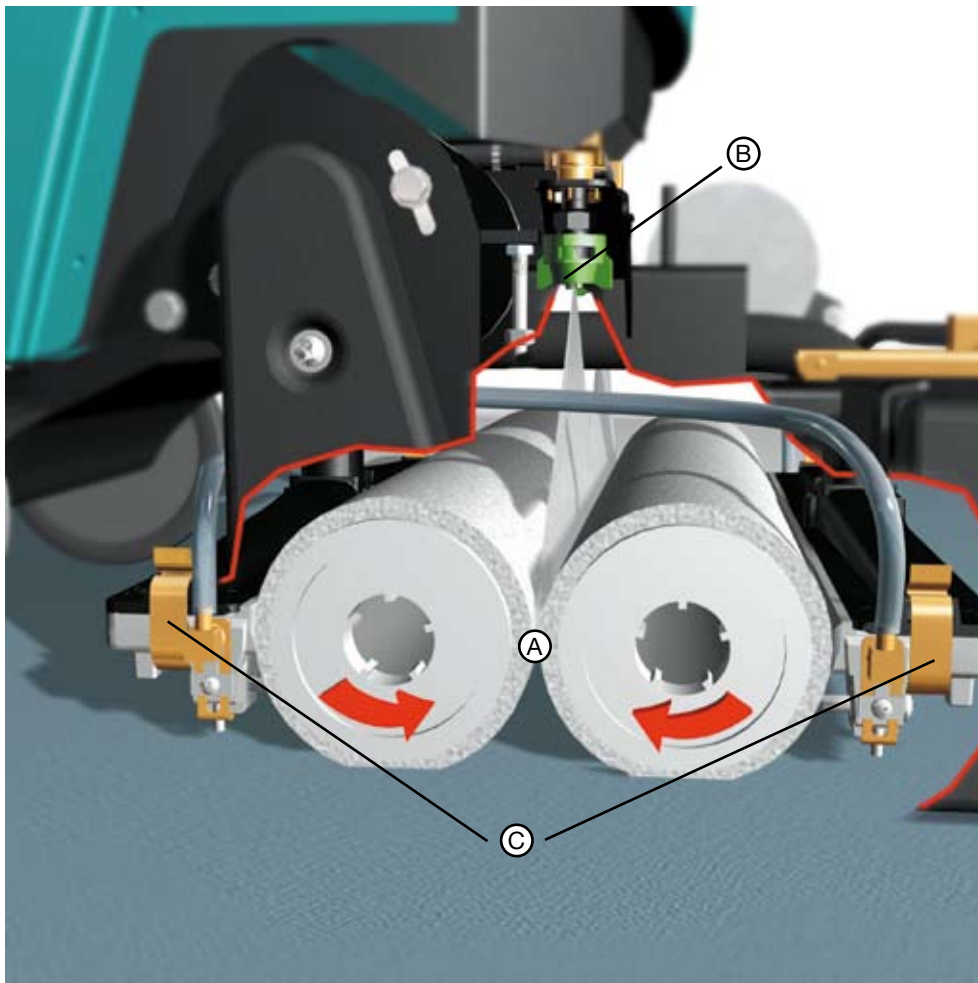
3:00 PM – Carpet is clean, dry, and ready for guest check in.



Store Open

8:30 AM – Mall maintenance finishes cleaning stores.

9:00 AM – Carpet is clean, dry, and ready for shoppers.



PATENTED READYSACE TECHNOLOGY

A Unique soil-transfer rollers are the basis for ReadySpace. When damp, these fabric rollers grab dirt from the carpet fibers and lift it into the machine.

B Inside, a sprayer rinses soil from the rollers, not the carpet.

C Two powerful individual vacuum shoes extract the dirty water into the recovery tank.



R3 CORD-ELECTRIC READYSpace

GENUINE TENNANT PARTS, SUPPLIES & SERVICE

Genuine Tennant Parts Advantage

Operate your machine with confidence by choosing genuine Tennant parts. Only authentic Tennant parts are engineered in conjunction with Tennant equipment. For years of worry-free operation, accept only genuine parts and supplies.

Factory trained service network

Providing world-class response, completion times and on-site machine service, a network of factory trained service representatives is dedicated to keep your cleaning program up and running.

Cleaning System

Cleaning path	380 mm
Solution tank	19 l
Recovery tank	19 l
Roller size (dual cylindrical)	380 mm
Roller speed	450 rpm
Roller motor (2)	0,22 kW
Vacuum fan	2-stage, 0.89 kW
Vacuum motor airflow (max)	2.8 m ² /min
Vacuum system sealed waterlift	2,180 mm
Solution pump pressure	4.48 bar
Solution spray rate	0.76 lpm
Sound level (operator's ear)	69 dBa

Dimensions/Weight

Product length	750 mm
Product width	490 mm
Product height	710 mm
Product weight	53 kg
Power cord	15 m

Warranty 12 Months on parts and 12 months on labour, excluding wear items.



SEEING IS BELIEVING

See for yourself how the R3 can help you reach a higher standard of cleanliness and safety in your facility. For a demonstration or additional information, call 800.553.8033.

TENNANT EUROPE NV

Plantin & Moretuslei 220
2018 Antwerp
BELGIUM
Tel: +32 3 217 94 11
Fax: +32 3 217 94 19
E-mail: info@tennant.be
www.tennant.be

TENNANT UK LTD.

Gladstone Road
Northampton NN5 7FX
UNITED KINGDOM
Tel: 00800-2255 8366
Fax: 00800-3298 3662
Tel: 01604 583191 (local rate UK only)
Fax: 01604 587909 (local rate UK only)
E-mail: europa@tennantco.com

TENNANT CEE GmbH

Sommerfeld 1
5202 Neumarkt am Wallersee
AUSTRIA
Tel: +43 (0)6216 4524 & 4525
Fax: +43 (0)6216 4524 20
E-mail: office@tennant-cee.com