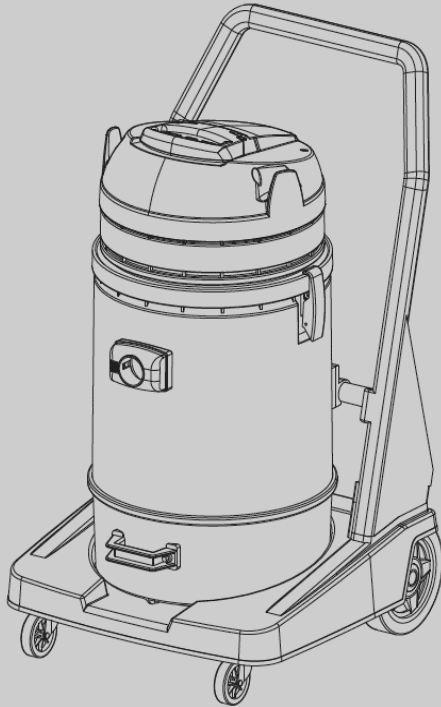




# V-WD-72

Wet/Dry Vacuum

Parts Manual



Model Part No.:

1244340 V-WD-72 [220-240V EU]  
1244341 V-WD-72 [220-240V UK]  
1244343 V-WD-72 [220-240V ANZ]  
1244342 V-WD-72 [220-240V CN]

**TennantTrue® Parts**



To view, print or download the parts manual, visit:

[www.tennantco.com/manuals](http://www.tennantco.com/manuals)

9018764  
Rev. 00 (03-2019)

Only use TENNANT Company supplied or equivalent parts.  
Parts and supplies may be ordered online, by phone or from any Tennant or Nobles  
Authorized Service Center or Distributor.

Before Ordering any parts or supplies, be sure to have the machine model number and  
serial number available.

**Tennant Company**

PO Box 1452  
Minneapolis, MN 55440 USA  
Phone: (800) 553-8033  
[www.tennantco.com](http://www.tennantco.com)

**Tennant Company N.V.**

Industrielaan 6 5405 AB  
P.O. Box 6 5400 AA  
Uden- The Netherlands  
[europa@tennantco.com](mailto:europa@tennantco.com)  
[www.tennantco.com](http://www.tennantco.com)

**TENNANT Cleaning Systems &  
Equipment (Shanghai) Co., Ltd**

Building 1, No. 3777 Caoying Road  
Qingpu Shanghai, China 201712  
Phone: 86 21 6922 5333  
Fax: 86 21 69225151  
[www.tennant.co.cn](http://www.tennant.co.cn)

Specifications and parts are subject to change without notice.  
Copyright ©2019 TENNANT Company

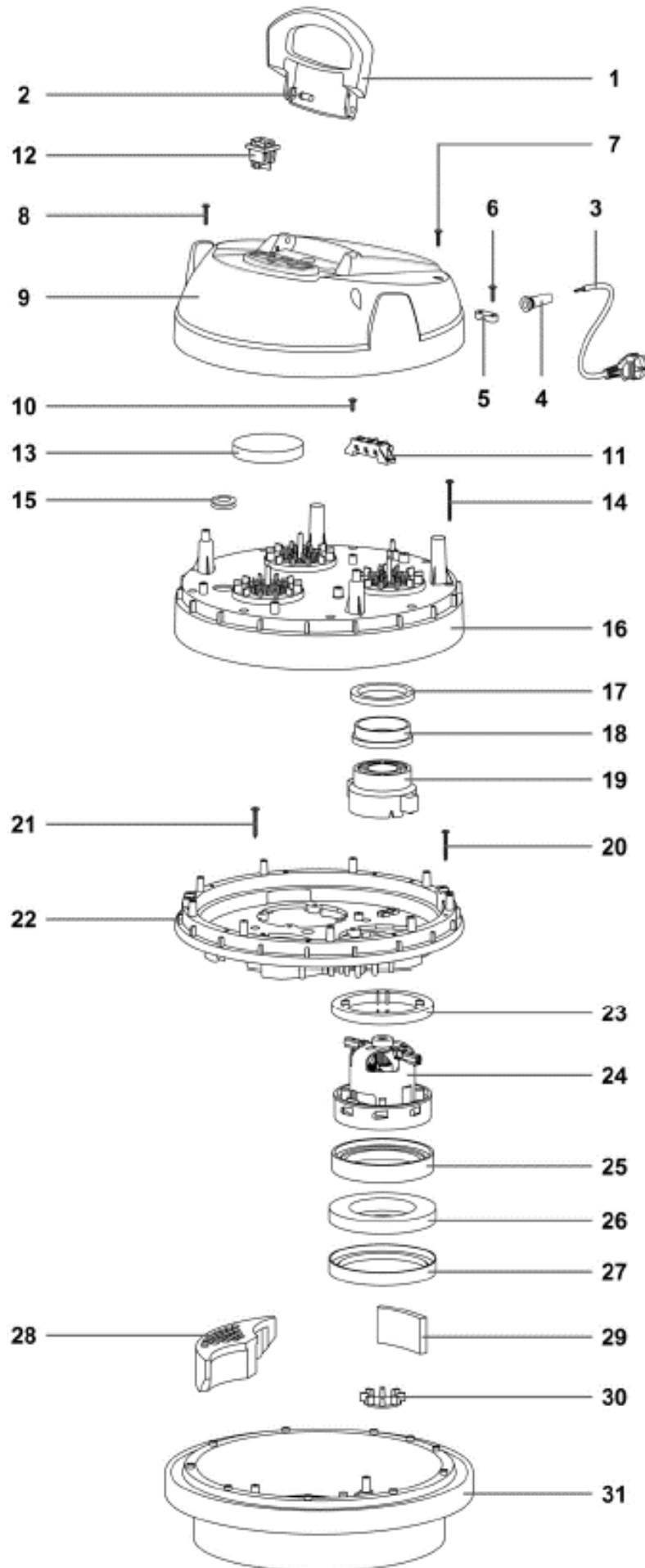
## TABLE OF CONTENTS

HEAD ASSEMBLY (EU/CN/ANZ 220-240V MODELS) .....	4
HEAD ASSEMBLY (UK 220-24V MODEL) .....	8
MAIN FILTER ASSEMBLY .....	10
LABEL KIT .....	10
TANK ASSEMBLY .....	11
TROLLEY ASSEMBLY .....	12
ACCESSORY TOOLS .....	14
VACUUM BAGS AND FILTERS .....	14
ELECTRICAL DIAGRAM .....	15

## RECOMMENDED SPARE PARTS LIST

VACUUM BAGS AND FILTERS	
KTRIO2912	BAG, VACUUM, PAPER [1 PKG = 10 BAGS]
KTRIO5851	BAG, VACUUM, MICROFIBER [1 PKG=10 BAGS]
KTRIO5840	FILTER KIT, VACUUM
KTRIO5846	FILTER KIT, VACUUM, PRE-FILTER
CLEANING TOOL ACCESSORIES	
KTRIO5804	HANDLE, VACUUM HOSE W/ REG, 38 MM
KTRIO5803	HOSE ASSY, VACUUM
KTRIO5786	WAND SET, VACUUM, TWO-PIECE 38 MM
KTRIO5608	TOOL KIT, VACUUM. 38 MM [CREVICE TOOL, ROUND BRUSH TOOL AND ADAPTOR]
1064519	TOOL, FLOOR, DRY
1064520	TOOL, FLOOR, WET
GENERAL MAINTENANCE PARTS	
KTRIO5751	WHEEL KIT, CART
KTRIO5791	CASTER KIT, CART
KTRIO5606	LATCH KIT, VACUUM [QTY 2]
KTRIO5850	FLOAT KIT, BASKET
KTRIO5744	CORD KIT, POWER 220-240VC [EU]
KTRIO5752	CORD KIT, POWER, 220-240V [UK]
KTRIO5754	CORD KIT, POWER, 220-240V [ANZ]
KTRIO5753	CORD KIT, POWER, 220-240V [CN]
1021709	SWITCH, RED LIGHT [220-240V MODEL]
KTRIO5700	MOTOR KIT, VACUUM, 220-240V
KTRIO5755	MOTOR KIT, VACUUM, 220-240V [UK MODEL]
KTRIO5701	GASKET KIT, MOTOR 220-240V
KTRIO5712	GASKET KIT, MOTOR 220-240V [UK MODEL]

# HEAD ASSEMBLY (EU/CN/ANZ 220-240V MODELS)



## HEAD ASSEMBLY (EU/CN/ANZ 220-240V MODELS)

Code	Part No.	Description	QTY
▽	KTRI05740	HOUSING ASSY, POWER, HEAD [V-WD-72 EU]	1
▽	KTRI05742	HOUSING ASSY, POWER, HEAD [V-WD-72 CN]	1
▽	KTRI05743	HOUSING ASSY, POWER, HEAD [V-WD-72 ANZ]	1
▲ ▽	KTRI05713	COVER KIT, VACUUM, TEAL [V-WD-72]	1
▲ ▲	1 N/A	HANDLE VEGAS GRIGIO 5500	1
▲ ▲	2 N/A	HANDLE PIN VEGAS	2
▲ ▲	7 1021628	SCREW PFU TMT PHL 5X20 BLACK	2
▲ ▲	8 N/A	SCREW PFU TMT PHL 5X25 ZN BLACK	2
▲ ▲	9 N/A	COVER VEGAS 600 BLU-TEN 3 INT.	1
▲ ▽	KTRI05744	CORD KIT, POWER 220-240VAC [EU]	1
▲ ▲	3 N/A	ELECTRIC CORD 2X1,5 MT.8,5	1
▲ ▲	4 1021625	LEAD	1
▲ ▲	5 1021626	BLOCK, STRAINRELIEF	1
▲ ▲	6 1021628	SCREW PFU TMT PHL 5X20 BLACK	1
▲ ▽	KTRI05753	CORD KIT, POWER, 220V-240VAC [CN]	1
▲ ▲	3 N/A	ELECTRIC CORD 2X1,5 MT.8,5	1
▲ ▲	4 1021625	LEAD	1
▲ ▲	5 1021626	BLOCK, STRAINRELIEF	1
▲ ▲	6 1021628	SCREW PFU TMT PHL 5X20 BLACK	1
▲ ▽	KTRI05754	CORD KIT, POWER, 220-240VAC [ANZ]	1
▲ ▲	3 N/A	ELECTRIC CORD 2X1,5 MT.8,5	1
▲ ▲	4 1021625	LEAD	1
▲ ▲	5 1021626	BLOCK, STRAINRELIEF	1
▲ ▲	6 1021628	SCREW PFU TMT PHL 5X20 BLACK	1
▲ ▽	KTRI05745	TERMINAL KIT, W/WIRES	1
▲ ▲	10 1021706	SCREW PAT TMT PHL 5X14 ZN BLACK	2
▲ ▲	11 N/A	TERM.BOARD 400-600 3MOT.RAD	1
▲	12 1021709	ANTISPLASH RED LIGHT SWITCH	3
▲	13 1021647	FILTER MTP/65 H=15 D.95	3
▲	14 1021710	SCREW PAT TMT PHL 5X55 BLACK	9
▲	15 1021711	GUIDING SLIT FOR QUICK COUPLING	1
▲	16 1021713	COVERING 600 BL-TEN	1
▲	17 1021651	WASHER H8 D85X65	3
▲	20 1021714	SCREW PAT TMT PHL 5X40 BLACK	9
▲	21 1021714	SCREW PAT TMT PHL 5X40 BLACK	3
▲	22 N/A	MOTOR FASTENER HS 600 BLU-TEN	1
▲ ▽	KTRI05700	MOTOR KIT, VACUUM, 220-240VAC	1
▲ ▲	19 N/A	CAP /ADAPTER F/MOT.BYPASS AU	1
▲ ▲	24 N/A	MOTOR BS282 WL 1000W 220-240	1
▲ ▲	NS N/A	WIRING 50CM MOTOR-TP	1
▲ ▲	NS N/A	CLAMP	2

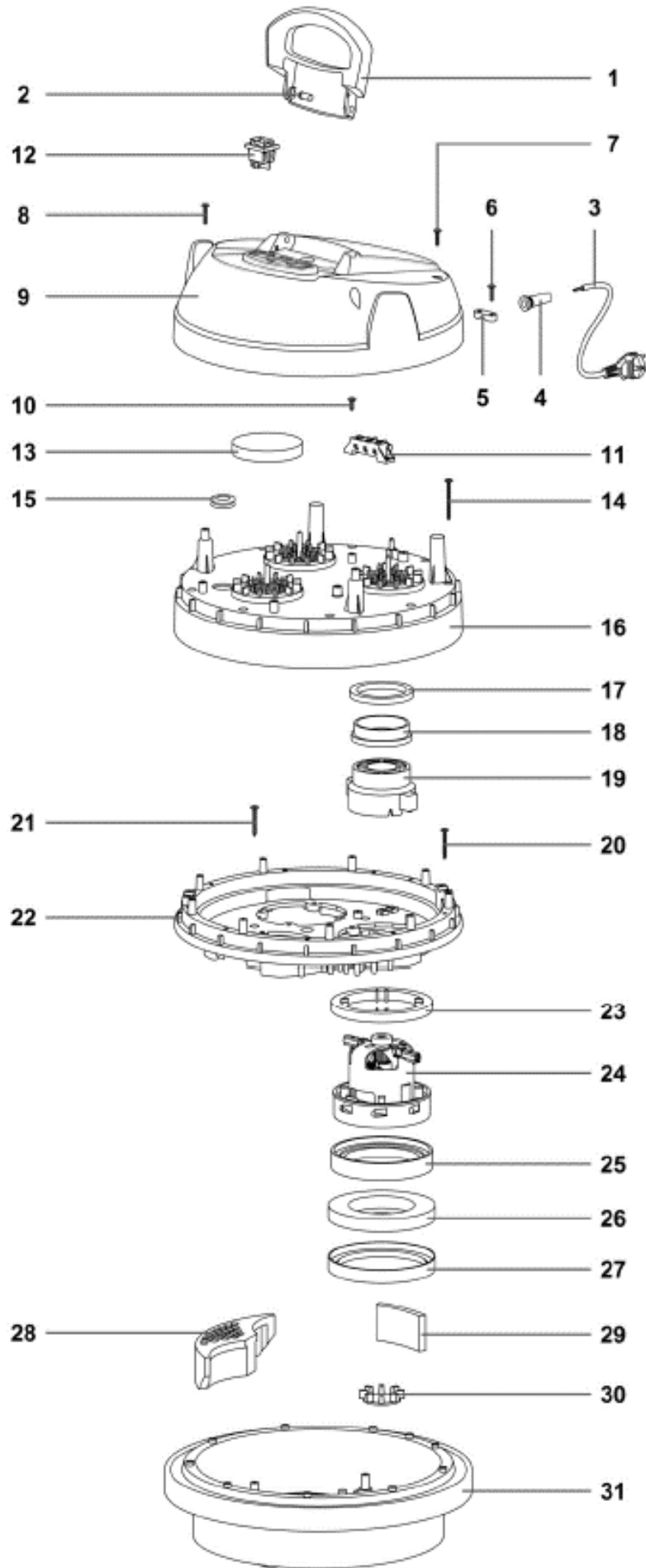
Continued on next page

▽ KIT

▲ INCLUDED IN KIT

N/A = NOT AVAILABLE SEPARATELY - MUST ORDER KIT

# HEAD ASSEMBLY (EU/CN/ANZ 220-240V MODELS) - Continued



## HEAD ASSEMBLY (EU/CN/ANZ 220-240V MODELS) - Continued

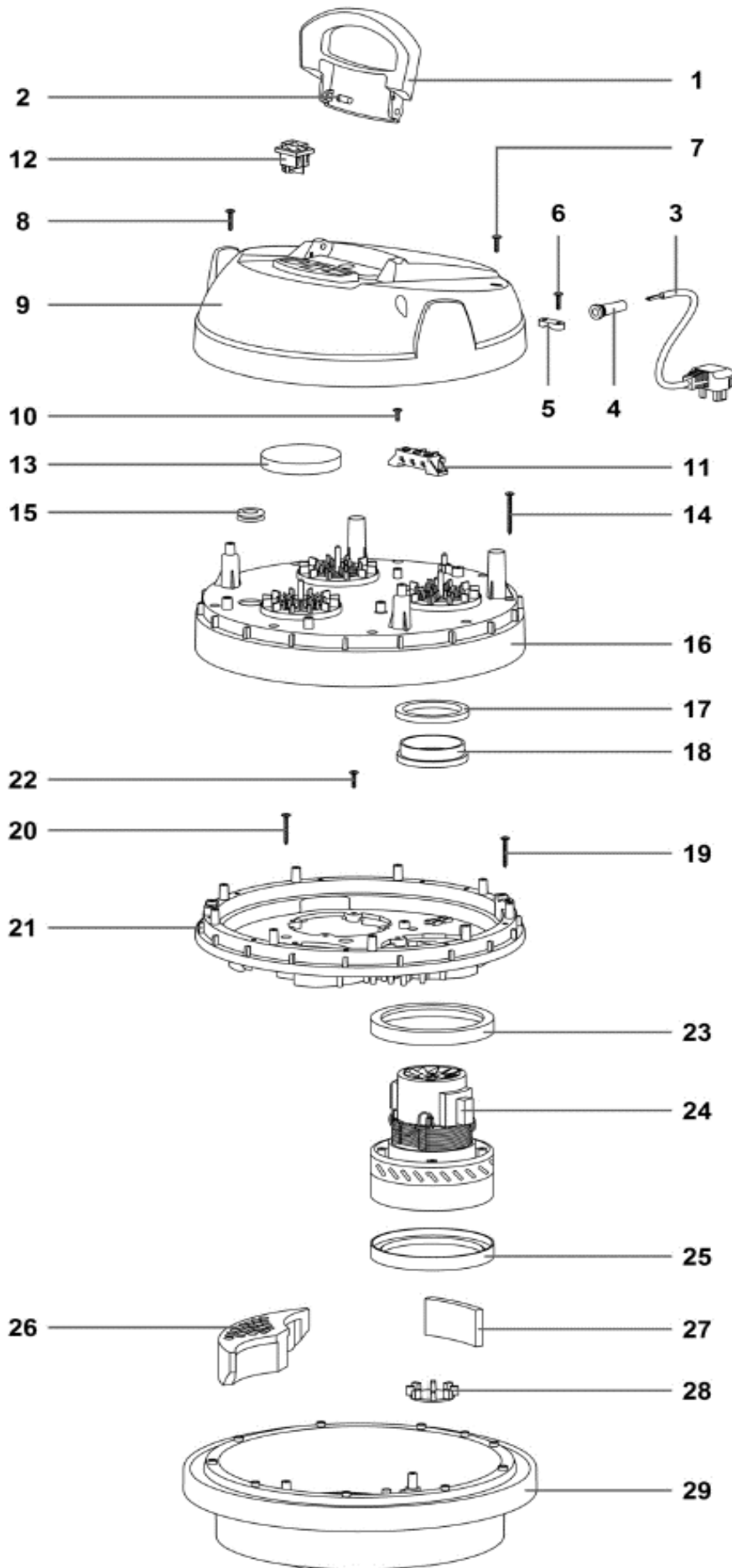
Code	Part No.	Description	QTY
▲ ▽	KTRI05701	GASKET KIT, MOTOR 220-240VAC	1
▲ ▲ 18	1021652	RING MOTORE H=7 (15) PLAST.	1
▲ ▲ 23	N/A	"C" GASKET D.130	1
▲ ▲ 25	N/A	"L" GASKET D.130 H=13	1
▲ ▲ 26	N/A	STAGE DUMMY H=20MM	1
▲ ▲ 27	N/A	"L" GASKET S/F H=8	1
▲ 28	1021720	ANTINOISE TRIANGLE H=51	3
▲ ▽	KTRI05747	BASE, HOUSING, GRAY	1
▲ ▲ 29	1021721	GASKET MTP/30 AU-AD 50X10X85	3
▲ ▲ 30	1021722	AUTOMATIC VALVE	3
▲ ▲ 31	N/A	BASE 600/400 C/GUA G55	1
▲ NS	1244146	LABEL, SAFETY, READ MANUAL [CE]	1
▲ NS	1021022	LABEL, LOGO, TENNANT	1

▽ KIT

▲ INCLUDED IN KIT

N/A = NOT AVAILABLE SEPARATELY - MUST ORDER KIT

# HEAD ASSEMBLY (UK 220-240V MODEL)





## HEAD ASSEMBLY (UK 220-240V MODEL)

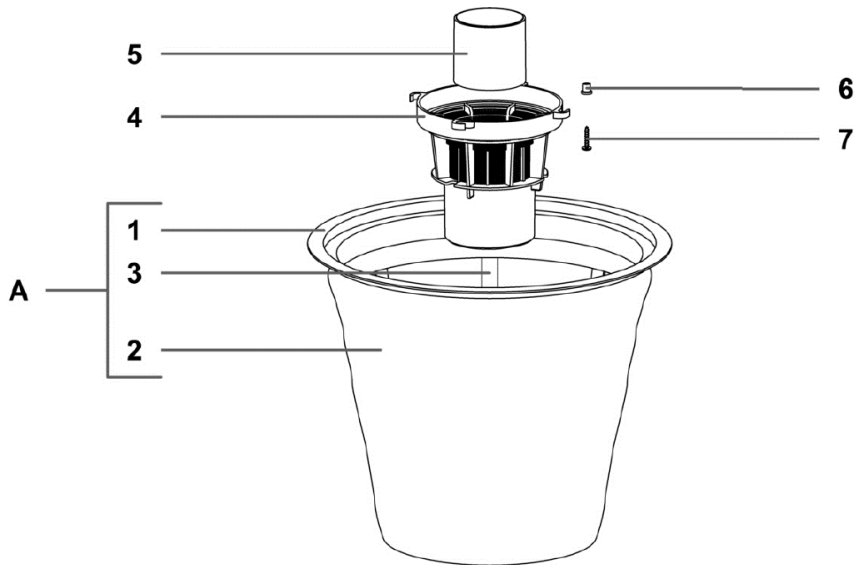
Code	Part No.	Description	QTY
▽	KTRI05741	HOUSING ASSY, POWER, HEAD [V-WD-72 UK]	1
▲ ▽	KTRI05713	COVER KIT, VACUUM, TEAL [V-WD-72]	1
▲ ▲ 1	N/A	HANDLE VEGAS GRIGIO 5500	1
▲ ▲ 2	N/A	HANDLE PIN VEGAS	2
▲ ▲ 7	1021628	SCREW PFU TMT PHL 5X20 BLACK	2
▲ ▲ 8	N/A	SCREW PFU TMT PHL 5X25 ZN BLACK	2
▲ ▲ 9	N/A	COVER VEGAS 600 BLU-TEN 3 INT.	1
▲ ▽	KTRI05752	CORD KIT, POWER, 220-240VAV [UK]	1
▲ ▲ 3	N/A	ELECTRIC CORD 2X1,5 MT.8,5	1
▲ ▲ 4	1021625	LEAD	1
▲ ▲ 5	1021626	BLOCK, STRAINRELIEF	1
▲ ▲ 6	1021628	SCREW PFU TMT PHL 5X20 BLACK	1
▲ ▽	KTRI05745	TERMINAL KIT, W/WIRES	1
▲ ▲ 10	1021706	SCREW PAT TMT PHL 5X14 ZN BLACK	2
▲ ▲ 11	N/A	TERM.BOARD 400-600 3MOT.RAD	1
▲ 12	1021709	ANTISPLASH RED LIGHT SWITCH	3
▲ 13	1021647	FILTER MTP/65 H=15 D.95	3
▲ 14	1021710	SCREW PAT TMT PHL 5X55 BLACK	9
▲ 15	1021711	GUIDING SLIT FOR QUICK COUPLING	1
▲ 16	1021713	COVERING 600 BL-TEN	1
▲ 17	1021651	WASHER H8 D85X65	3
▲ 19	1021714	SCREW PAT TMT PHL 5X40 BLACK	9
▲ 20	1021714	SCREW PAT TMT PHL 5X40 BLACK	3
▲ 21	N/A	MOTOR FASTENER NEVADA 600 BLU-TEN	1
▲ 22	1021628	SCREW PFU TMT PHL 5X20 BLACK	12
▲ ▽	KTRI05755	MOTOR KIT, VACUUM, 230VAC [UK]	1
▲ ▲ 24	N/A	MOTOR BD302 F 900W 230V	1
▲ ▲ NS	N/A	WIRING 50CM MOTOR POKE-IN TP	1
▲ ▲ NS	N/A	CLAMP	2
▲ ▽	KTRI05712	GASKET KIT, MOTOR [UK MODEL]	1
▲ ▲ 18	1021652	RING MOTORE H=7 (15) PLAST.	1
▲ ▲ 23	1021657	RING, BOTTOM, MOTOR	2
▲ ▲ 25	1021657	RING, BOTTOM, MOTOR	2
▲ 26	1021720	ANTINOISE TRIANGLE H=51	3
▲ ▽	KTRI05747	BASE, HOUSING, GRAY	1
▲ ▲ 27	1021721	GASKET MTP/30 AU-AD 50X10X85	3
▲ ▲ 28	1021722	AUTOMATIC VALVE	3
▲ ▲ 29	N/A	BASE 600/400 C/GUA G55	1
▲ NS	1244146	LABEL, SAFETY, READ MANUAL [CE]	1
▲ NS	1021022	LABEL, LOGO, TENNANT	1

▽ KIT

▲ INCLUDED IN KIT

N/A = NOT AVAILABLE SEPARATELY - MUST ORDER KIT

## MAIN FILTER ASSEMBLY



Code	Part No.	Description	QTY
▽ A	KTRIO5840	FILTER KIT, VACUUM	1
▲ 1	1021730	RING, FILTER	1
▲ 2	N/A	FILTER POLY AN4-600 CON REG H320	1
▲ 3	1021731	SUPPORT, FILTER, BASKET	1
▽	KTRIO5850	FLOAT KIT, BASKET	1
▲ 4	9008810	FILTER, VACUUM	1
▲ 5	1021666	FLOAT	1
▲ 6	1021661	SPACER	4
▲ 7	1021663	SCREW PAT TMT PHL 5X25	4

▽ KIT

▲ INCLUDED IN KIT

N/A = NOT AVAILABLE SEPARATELY - MUST ORDER KIT

## LABEL KIT



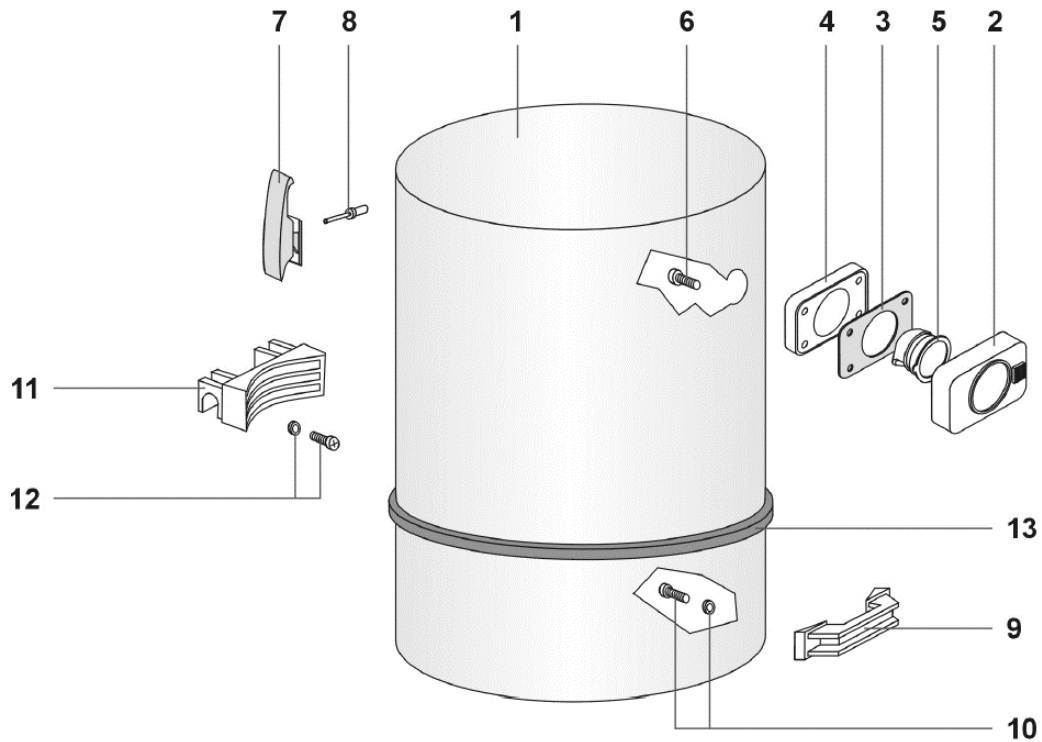
Code	Part No.	Description	QTY
▽	KTRIO5718	LABEL KIT, VACUUM [V-WD-72]	1
▲ 1	N/A	LABEL, LOGO, TENNANT	1
▲ 2	N/A	LABEL, SAFETY, READ MANUAL [CE]	1
▲ 3	N/A	LABEL, MODEL [V-WD-72]	2

▽ KIT

▲ INCLUDED IN KIT

N/A = NOT AVAILABLE SEPARATELY - MUST ORDER KIT

# TANK ASSEMBLY



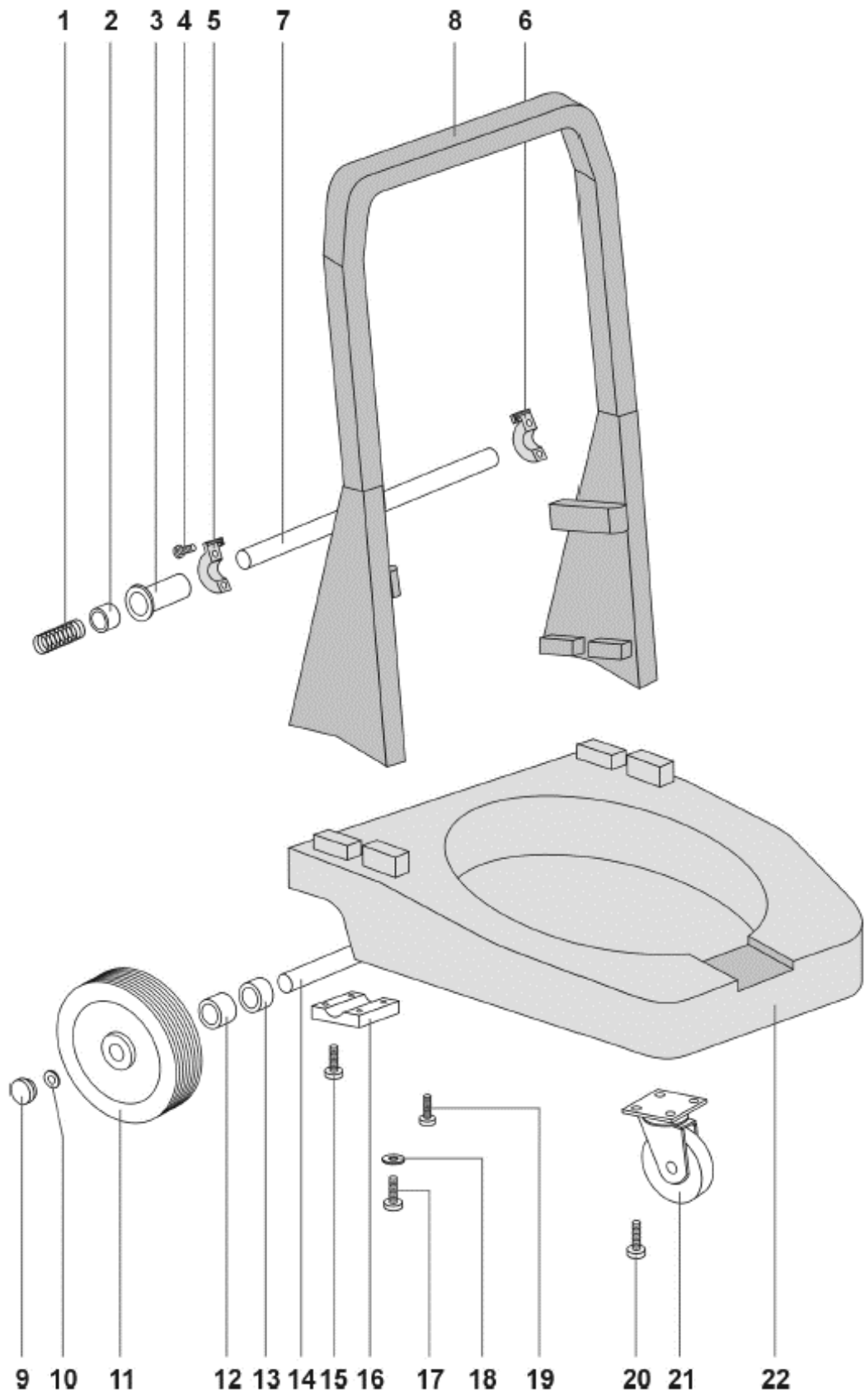
Code	Part No.	Description	QTY
▽	KTRIO5749	TANK KIT, VACUUM [V-WD-72 COMPLETE ASSY]	1
▲	1	N/A TANK EUROPA 400 BASC. NERO	1
▲ ▽	KTRIO5677	FITTING KIT, HOSE, INLET	1
▲ ▲	2	N/A PIPE UNION R155 NERO C/PUL.GI-VAC	1
▲ ▲	3	1021675 GASKET	1
▲ ▲	4	N/A GASKET R 205 BLACK	1
▲ ▲	5	1021685 INLET, TANK	1
▲ ▲	6	1021640 SCREW PAT TMT PHL 5X30 BLACK	4
▲ ▽	KTRIO5606	LATCH KIT, VACUUM [QTY 2]	1
▲ ▲	7	N/A HOOK PLAST.COMPL. GI-VAC	2
▲ ▲	8	1021673 RIVET 5X24,5	4
▲	9	N/A BLACK HANDLE	1
▲	10	N/A COMPL.SEAL JOI. W/SCREW L=3	2
▲	11	N/A HINGE PLASTIC TANK 400/S	1
▲	12	N/A COMPL.SEAL JOI. W/SCREW L=3	4
▲	13	N/A SHOCKPROOF BAND 400 BLACK	1
▲	NS	N/A LABEL, MODEL [V-WD-72]	2

▽ KIT

▲ INCLUDED IN KIT

N/A = NOT AVAILABLE SEPARATELY - MUST ORDER KIT

# TROLLEY ASSEMBLY



## TROLLEY ASSEMBLY

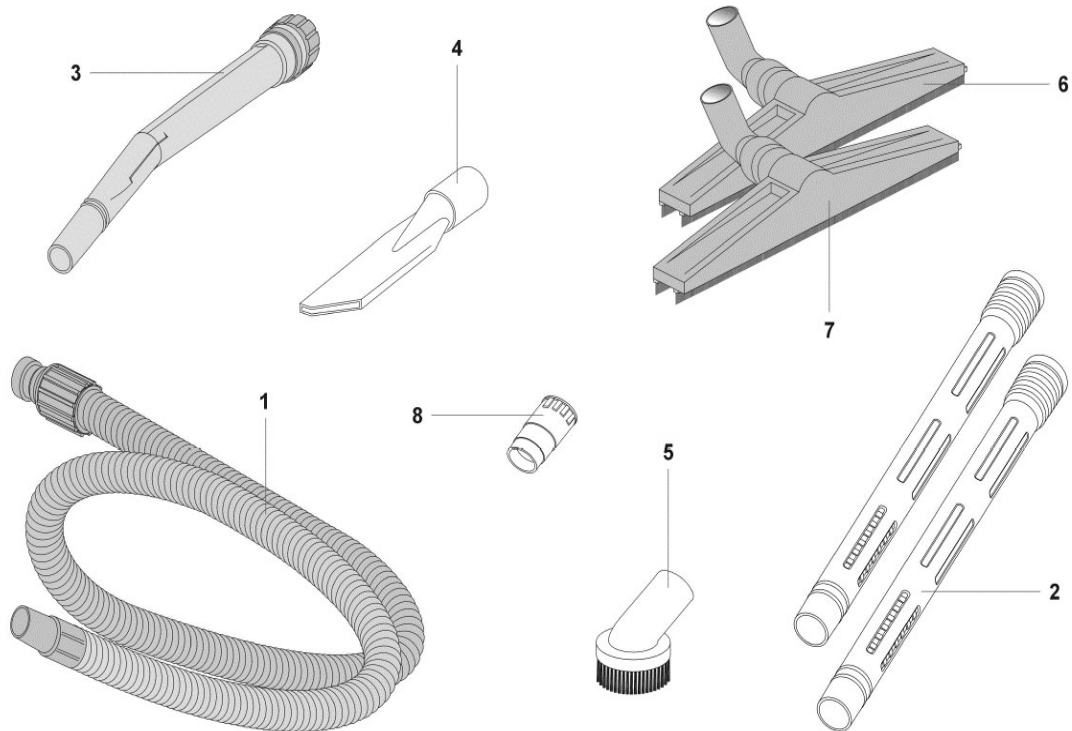
Code	Part No.	Description	QTY
▽	KTRI05929	CART, VACUUM [V-WD-72]	1
▲ ▽	KTRI05750	HANDLE ASSEMBLY, CART [V-WD-72]	1
▲ ▲ 1	N/A	SPRING PLASTIC DRUM 400 PLASTIC	2
▲ ▲ 2	N/A	WHEEL SPACER MARK.PLAST.	2
▲ ▲ 3	N/A	HINGE PIN 400 PLASTIC	2
▲ ▲ 4	N/A	SCREW PAT TMT PHL 5X25 BLACK	4
▲ ▲ 5	N/A	TUBE BLOCK RIGHT	1
▲ ▲ 6	N/A	TUBE BLOCK LEFT	1
▲ ▲ 7	N/A	UP-AND-OVER PIN DIA.18X465 SP.1,5 ZN.	1
▲ ▲ 8	N/A	HANDLE PLASTICA NERO	1
▲ ▲ 17	1021648	SCREW PAT TMT PHL 5X35 BLACK	2
▲ ▲ 18	N/A	PLAST.WASHER	6
▲ ▲ 19	1021714	SCREW PAT TMT PHL 5X40 BLACK	12
▲ ▽	KTRI05751	WHEEL KIT, CART [V-WD-72]	1
▲ ▲ 9	1021750	WHEEL CAP D.200/250 BLACK	2
▲ ▲ 10	N/A	BLOC. D.18	2
▲ ▲ 11	N/A	REAR WHEEL D.200	2
▲ ▲ 12	N/A	WHEEL SPACER MARK.PLAST.	2
▲ ▲ 13	N/A	SPACER BUSH	2
▲ ▲ 14	N/A	WHEEL PIN D.18X505 SP.1,5 ZN.	1
▲ ▲ 15	1021640	SCREW PAT TMT PHL 5X30 BLACK	8
▲ ▲ 16	1021753	BRACKET, AXLE	2
▲ ▽	KTRI05791	CASTER KIT, CART	8
▲ ▲ 20	1021628	SCREW PFU TMT PHL 5X20 BLACK	8
▲ ▲ 21	1021754	CASTER, SWIVEL	2
▲ 22	N/A	TROLLEY BODY TIPP.TROLLEY EUROPA	1

▽ KIT

▲ INCLUDED IN KIT

N/A = NOT AVAILABLE SEPARATELY - MUST ORDER KIT

## ACCESSORY TOOLS



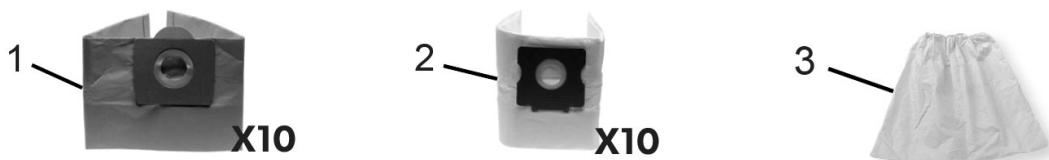
Code	Part no.	Description	QTY	
1	KTRIO5803	HOSE ASSY, VACUUM, 2.5M, 38 MM	1	
2	KTRIO5786	WAND SET, VACUUM, TWO-PIECE	2	
3	KTRIO5804	HANDLE, VACUUM HOSE W/ REG, 38 MM	1	
▽	KTRIO5608	TOOL KIT, VACUUM, Ø38 MM	1	
▲	4	1021757	FLAT LANCE D.38	1
▲	5	1021758	ROUND TOOL D.38 / small box	1
▲	8	1064521	PVC ADAPTOR D.38	1
	6	1064519	TOOL, FLOOR, DRY, 38 MM	1
	7	1064520	TOOL, FLOOR, WET, 38 MM	1
	8	KTRIO5937	TOOL HOLDER [OPTIONAL]	1

▽ KIT

▲ INCLUDED IN KIT

N/A = NOT AVAILABLE SEPARATELY - MUST ORDER KIT

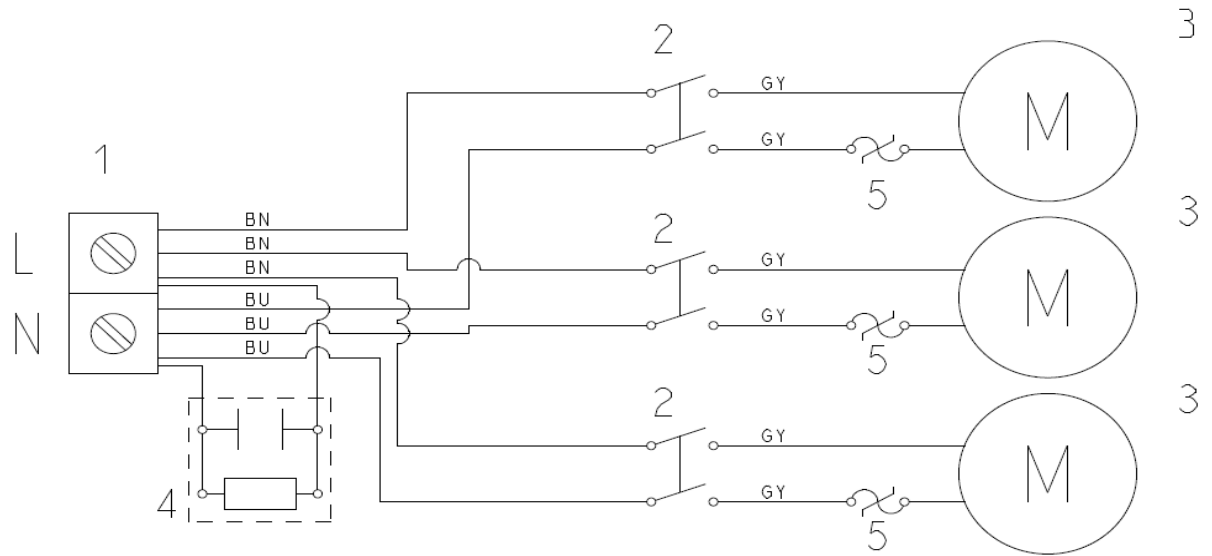
## VACUUM BAGS AND FILTERS



Code	Part No.	Description	Qty
1	KTRIO2912	BAG, VACUUM, PAPER [1 PKG = 10 BAGS]	1
2	KTRIO5851	BAG, VACUUM, MICROFIBER [1 PKG=10 BAGS]	1
3	KTRIO5846	FILTER, VACUUM, PRE-FILTER	1

# ELECTRICAL DIAGRAMS

EU/UK/CN/ANZ 220-240V MODELS



n °	Component description
1	Mains terminal block
2	Motor switch
3	Motor
4	Capacitor
5	Thermal amperometric motor protector