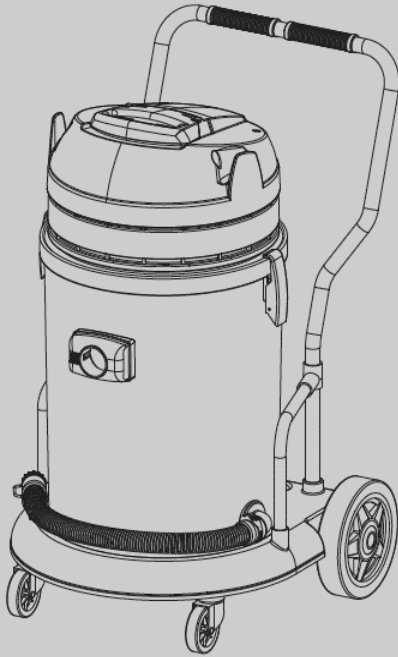




V-WD-62

Wet/Dry Vacuum

Parts Manual



Model Part No.:

- 1244335 V-WD-62 [220-240V EU]
- 1244336 V-WD-62 [220-240V UK]
- 1244338 V-WD-62 [220-240V ANZ]
- 1244337 V-WD-62 [220-240V CN]
- 1244339 V-WD-62 [100V JP]

TennantTrue® Parts



To view, print or download the parts manual, visit:

www.tennantco.com/manuals

9018763
Rev. 00 (03-2019)

Only use TENNANT Company supplied or equivalent parts.
Parts and supplies may be ordered online, by phone or from any Tennant or Nobles
Authorized Service Center or Distributor.

Before Ordering any parts or supplies, be sure to have the machine model number and
serial number available.

Tennant Company

PO Box 1452
Minneapolis, MN 55440 USA
Phone: (800) 553-8033
www.tennantco.com

Tennant Company N.V.

Industrielaan 6 5405 AB
P.O. Box 6 5400 AA
Uden- The Netherlands
europa@tennantco.com
www.tennantco.com

**TENNANT Cleaning Systems &
Equipment (Shanghai) Co., Ltd**

Building 1, No. 3777 Caoying Road
Qingpu Shanghai, China 201712
Phone: 86 21 6922 5333
Fax: 86 21 69225151
www.tennant.co.cn

TENNANT Company Japan

9F Industry & Trade Center
2 Yamashita- cho, Naka- ku
Yokohama, Kanagawa 231- 0023
Japan
Phone: 81-45-640-5630
Fax: 81-45-640-5604
www.tennant.co.jp

Specifications and parts are subject to change without notice.
Copyright ©2019 TENNANT Company

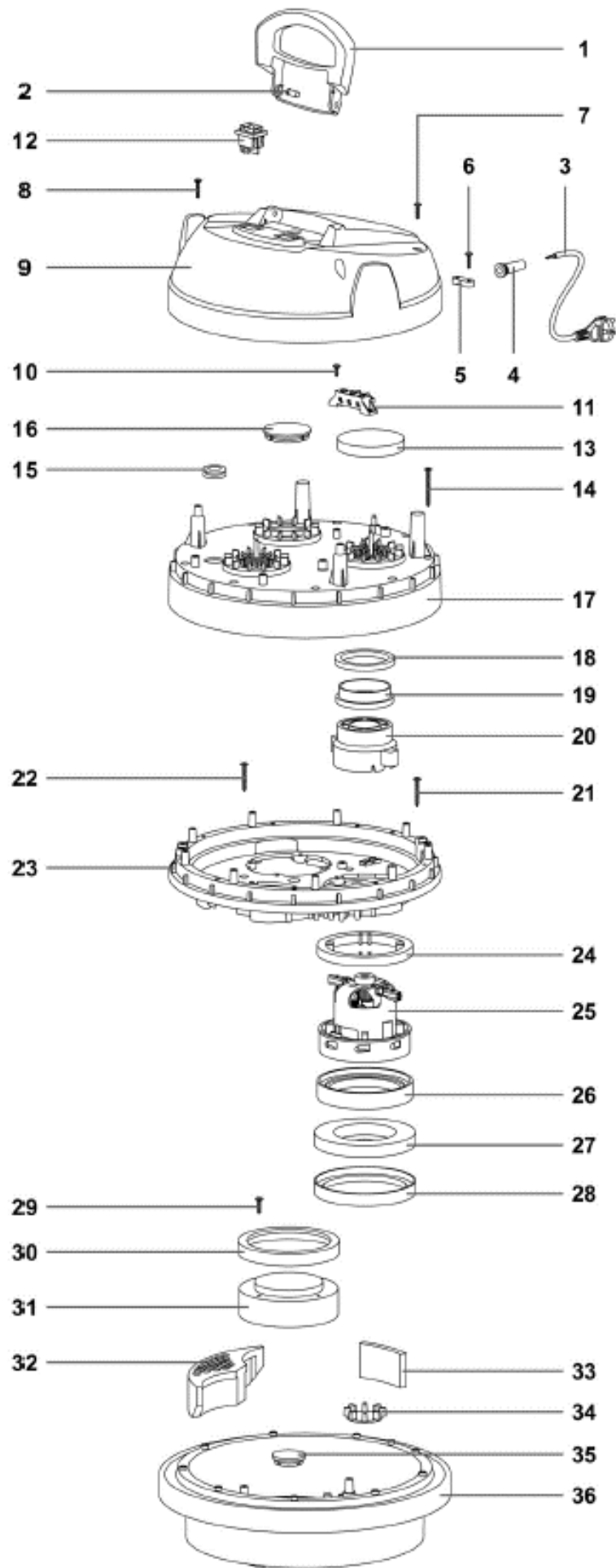
TABLE OF CONTENTS

| | |
|---|----|
| HEAD ASSEMBLY (EU/UK/CN/ANZ 220-240V MODELS) | 4 |
| HEAD ASSEMBLY (JAPAN 100V MODEL) | 8 |
| MAIN FILTER ASSEMBLY | 10 |
| TANK ASSEMBLY | 11 |
| LABEL KIT | 11 |
| DRAIN HOSE ASSEMBLY | 12 |
| TROLLEY ASSEMBLY | 13 |
| ACCESSORY TOOLS | 14 |
| VACUUM BAGS AND FILTERS | 14 |
| ELECTRICAL DIAGRAM | 15 |

RECOMMENDED SPARE PARTS LIST

| VACUUM BAGS AND FILTERS | |
|----------------------------------|--|
| KTRIO2912 | BAG, VACUUM, PAPER [1 PKG = 10 BAGS] |
| KTRIO5851 | BAG, VACUUM, MICROFIBER [1 PKG=10 BAGS] |
| KTRIO5840 | FILTER KIT, VACUUM |
| KTRIO5846 | FILTER KIT, VACUUM, PRE-FILTER |
| CLEANING TOOL ACCESSORIES | |
| KTRIO5804 | HANDLE, VACUUM HOSE W/ REG, 38 MM |
| KTRIO5803 | HOSE ASSY, VACUUM |
| KTRIO5786 | WAND SET, VACUUM, TWO-PIECE 38 MM |
| KTRIO5608 | TOOL KIT, VACUUM. 38 MM [CREVICE TOOL, ROUND BRUSH TOOL AND ADAPTOR] |
| 1064519 | TOOL, FLOOR, DRY |
| 1064520 | TOOL, FLOOR, WET |
| KTRIO5937 | TOOL, HOLDER |
| GENERAL MAINTENANCE PARTS | |
| KTRIO5736 | WHEEL KIT, CART |
| 1021755 | GRIP, TROLLEY HANDLE [QTY 2] |
| KTRIO5927 | CLIP, DRAIN HOSE |
| KTRIO2728 | CLIP KIT, HANDLE, WAND |
| KTRIO5660 | HOSE KIT, DRAIN |
| KTRIO5710 | FITTING KIT, DRAIN HOSE |
| KTRIO5678 | LATCH KIT, VACUUM [QTY 2] |
| KTRIO5850 | FLOAT KIT, BASKET |
| KTRIO5674 | CORD KIT, POWER 220-240VC [EU] |
| KTRIO5683 | CORD KIT, POWER, 220-240V [UK] |
| KTRIO5695 | CORD KIT, POWER, 220-240V [ANZ] |
| KTRIO5706 | CORD KIT, POWER, 220-240V [CN] |
| KTRIO5696 | CORD KIT, POWER, 100V [JP] |
| 1021709 | SWITCH, RED LIGHT [220-240V MODEL] |
| 1021646 | SWITCH, ON/OFF [100V MODEL] |
| KTRIO5700 | MOTOR KIT, VACUUM, 220-240V |
| KTRIO5704 | MOTOR KIT, VACUUM, 100V |
| KTRIO5701 | GASKET KIT, MOTOR 220-240V |
| KTRIO5712 | GASKET KIT, MOTOR 100V |

HEAD ASSEMBLY (EU/UK/CN/ANZ 220-240V MODELS)



HEAD ASSEMBLY (EU/UK/CN/ANZ 220-240V MODELS)

| Code | Part No. | Description | QTY |
|------|------------|--|-----|
| ▽ | KTRIO5730 | HOUSING ASSY, POWER, HEAD [V-WD-62 EU] | 1 |
| ▽ | KTRIO5731 | HOUSING ASSY, POWER, HEAD [V-WD-62 UK] | 1 |
| ▽ | KTRIO5732 | HOUSING ASSY, POWER, HEAD [V-WD-62 CN] | 1 |
| ▽ | KTRIO5733 | HOUSING ASSY, POWER, HEAD [V-WD-62 ANZ] | 1 |
| ▲ ▽ | KTRIO5697 | COVER KIT, VACUUM, TEAL [V-WD-62] | 1 |
| ▲ ▲ | 1 N/A | HANDLE VEGAS GRIGIO 5500 | 1 |
| ▲ ▲ | 2 N/A | HANDLE PIN VEGAS | 2 |
| ▲ ▲ | 7 1021628 | SCREW PFU TMT PHL 5X20 BLACK | 2 |
| ▲ ▲ | 8 N/A | SCREW PFU TMT PHL 5X25 ZN BLACK | 2 |
| ▲ ▲ | 9 N/A | COVER VEGAS 600 BL-TEN 2INT | 1 |
| ▲ ▽ | KTRIO5674 | CORD KIT, POWER 220-240VAC [EU] | 1 |
| ▲ ▲ | 3 N/A | ELECTRIC CORD 2X1 MT.8,5 | 1 |
| ▲ ▲ | 4 1021625 | LEAD | 1 |
| ▲ ▲ | 5 1021626 | BLOCK, STRAINRELIEF | 1 |
| ▲ ▲ | 6 1021628 | SCREW PFU TMT PHL 5X20 BLACK | 1 |
| ▲ ▽ | KTRIO5683 | CORD KIT, POWER, 220-240VAV [UK] | 1 |
| ▲ ▲ | 3 N/A | ELECTRIC CORD 2X1 MT.8,5 CINA | 1 |
| ▲ ▲ | 4 1021625 | LEAD | 1 |
| ▲ ▲ | 5 1021626 | BLOCK, STRAINRELIEF | 1 |
| ▲ ▲ | 6 1021628 | SCREW PFU TMT PHL 5X20 BLACK | 1 |
| ▲ ▽ | KTRIO5706 | CORD KIT, POWER, 220V-240VAC [CN] | 1 |
| ▲ ▲ | 3 N/A | ELECTRIC CORD 2X1,5 MT.8,5 SP 16A CINA | 1 |
| ▲ ▲ | 4 1021625 | LEAD | 1 |
| ▲ ▲ | 5 1021626 | BLOCK, STRAINRELIEF | 1 |
| ▲ ▲ | 6 1021628 | SCREW PFU TMT PHL 5X20 BLACK | 1 |
| ▲ ▽ | KTRIO5695 | CORD KIT, POWER, 220-240VAC [ANZ] | 1 |
| ▲ ▲ | 3 N/A | ELECTRIC CORD 2X1 MT.8,5 AUS | 1 |
| ▲ ▲ | 4 1021625 | LEAD | 1 |
| ▲ ▲ | 5 1021626 | BLOCK, STRAINRELIEF | 1 |
| ▲ ▲ | 6 1021628 | SCREW PFU TMT PHL 5X20 BLACK | 1 |
| ▲ ▽ | KTRIO5698 | TERMINAL KIT, W/WIRES [220-240VAC Model] | 1 |
| ▲ ▲ | 10 1021706 | SCREW PAT TMT PHL 5X14 ZN BLACK | 2 |
| ▲ ▲ | 11 1021707 | TERMINAL BOARD 400-600 2P 2MOT(includes wires) | 1 |
| ▲ | 12 1021709 | SWITCH, RED LIGHT [220-240VAC MODEL] | 2 |
| ▲ | 13 1021647 | FILTER MTP/65 H=15 D.95 | 2 |
| ▲ | 14 1021710 | SCREW PAT TMT PHL 5X55 BLACK | 9 |
| ▲ | 15 1021711 | GROMMET | 1 |
| ▲ | 16 1021712 | PLUG, COVER | 1 |
| ▲ | 17 1021713 | COVER, CENTER, TEAL | 1 |
| ▲ | 18 1021651 | RING | 2 |
| ▲ | 21 1021714 | SCREW PAT TMT PHL 5X40 BLACK | 9 |
| ▲ | 22 1021714 | SCREW PAT TMT PHL 5X40 BLACK | 4 |
| ▲ | 23 N/A | MOTOR FASTENER HS 600 BLU-TEN | 1 |

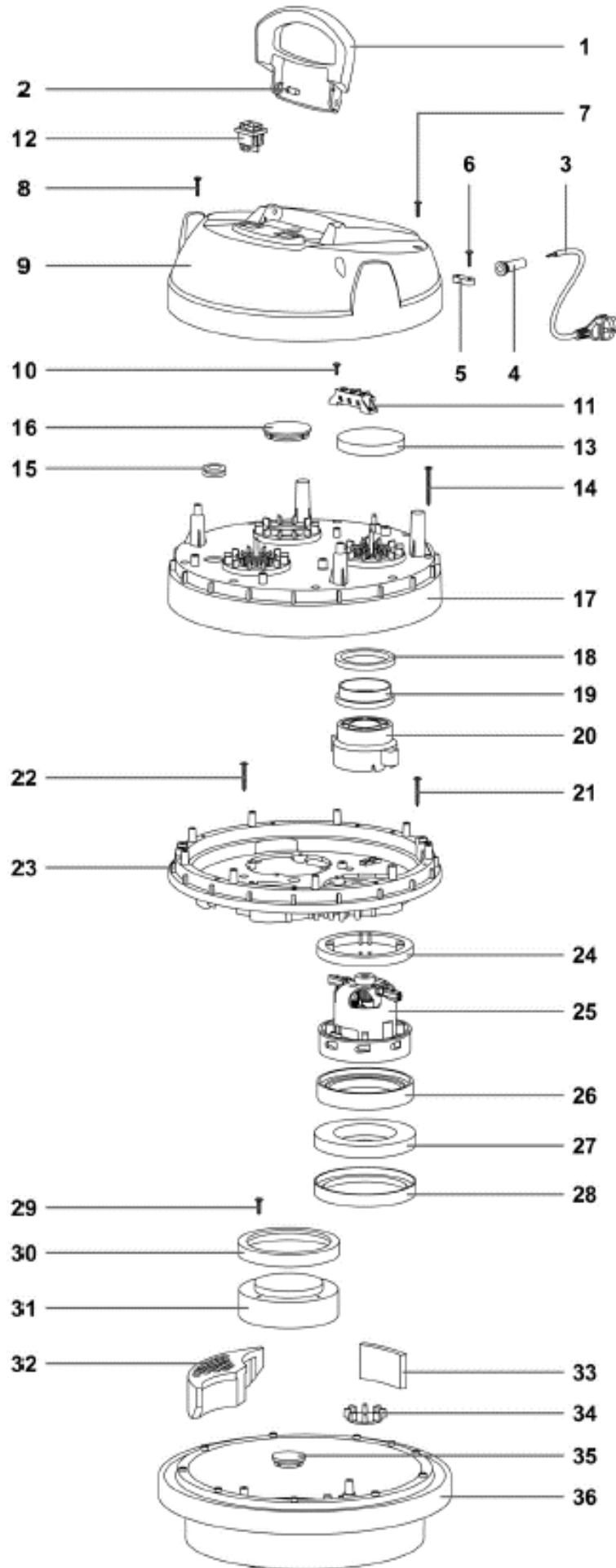
Continued on next page

▽ KIT

▲ INCLUDED IN KIT

N/A = NOT AVAILABLE SEPARATELY - MUST ORDER KIT

HEAD ASSEMBLY (EU/UK/CN/ANZ 220-240V MODELS) - Continued



HEAD ASSEMBLY (EU/UK/CN/ANZ 220-240V MODELS) - Continued

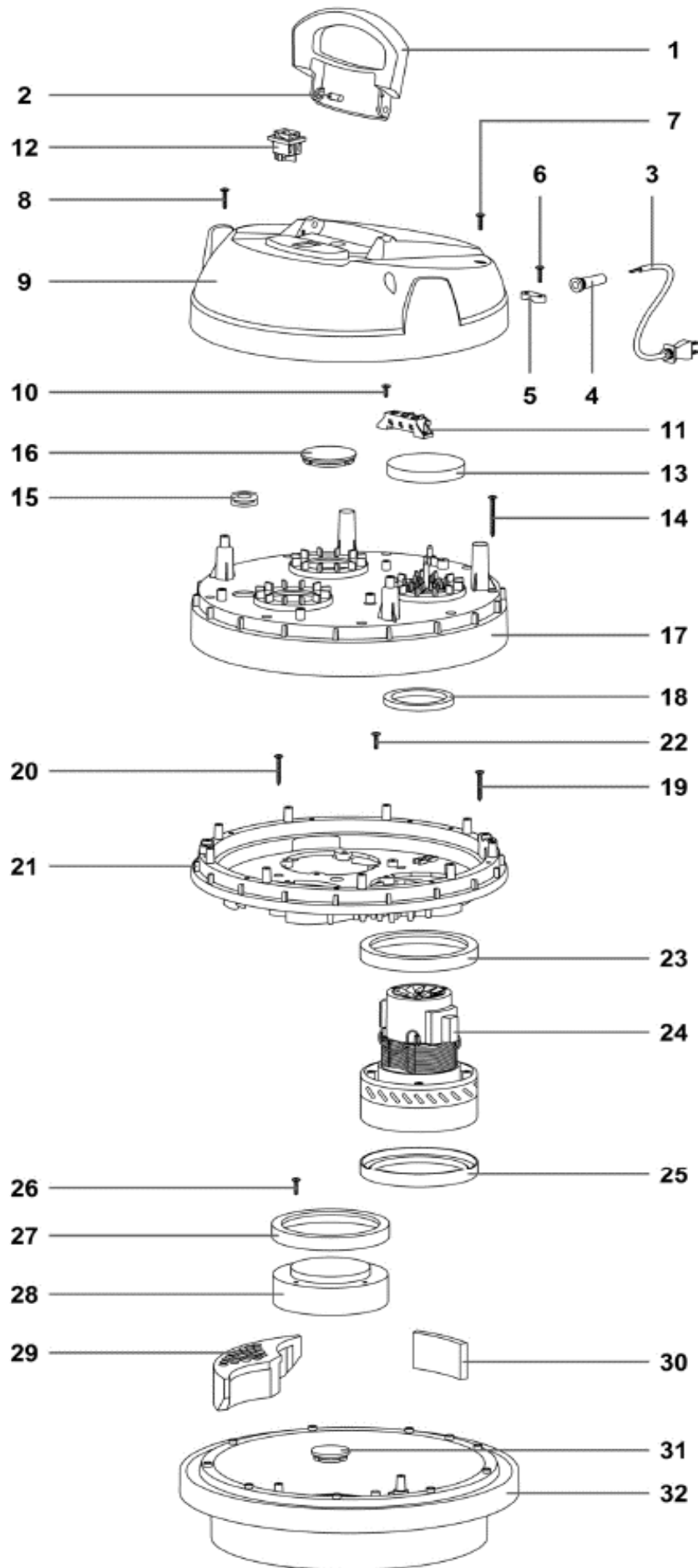
| Code | Part No. | Description | QTY |
|--------|-----------|--------------------------------------|-----|
| ▲ ▽ | KTRIO5700 | MOTOR KIT, VACUUM, 220-240VAC | 1 |
| ▲ ▲ 20 | N/A | CAP /ADAPTER F/MOT.BYPASS AU | 1 |
| ▲ ▲ 25 | N/A | MOTOR BS282 WL 1000W 220-240V | 1 |
| ▲ ▲ NS | N/A | CLAMP (NOT SHOWN) | 2 |
| ▲ ▲ NS | N/A | WIRING 50CM MOTOR-TP | 1 |
| ▲ ▽ | KTRIO5701 | GASKET KIT, MOTOR 220-240VAC | 1 |
| ▲ ▲ 19 | 1021652 | SPACER, MOTOR | 1 |
| ▲ ▲ 24 | N/A | "C" GASKET D.130 | 1 |
| ▲ ▲ 26 | N/A | "L" GASKET D.130 H=13 | 1 |
| ▲ ▲ 27 | N/A | STAGE DUMMY H=20MM | 1 |
| ▲ ▲ 28 | N/A | "L" GASKET S/F H=8 | 1 |
| ▲ | 29 | 1021628 SCREW PFU TMT PHL 5X20 BLACK | 4 |
| ▲ | 30 | 1021657 RING, BOTTOM, MOTOR | 1 |
| ▲ | 31 | N/A FAKE MOTOR | 1 |
| ▲ | 32 | 1021720 DAMPER, SOUND | 3 |
| ▲ ▽ | KTRIO5702 | BASE, HOUSING, GRAY [220-240V MODEL] | 1 |
| ▲ ▲ 33 | 1021721 | DAMPER, SOUND | 3 |
| ▲ ▲ 34 | 1021722 | VALVE | 2 |
| ▲ ▲ 35 | 1021723 | PLUG, COVER | 1 |
| ▲ ▲ 36 | N/A | BASE 600/400 C/GUA G55 | 1 |
| ▲ | NS | N/A LABEL, SAFETY, READ MANUAL [CE] | 1 |
| ▲ | NS | N/A LABEL, LOGO, TENNANT | 1 |

▽ KIT

▲ INCLUDED IN KIT

N/A = NOT AVAILABLE SEPARATELY - MUST ORDER KIT

HEAD ASSEMBLY (JAPAN 100V MODEL)



HEAD ASSEMBLY (JAPAN 100V MODEL)

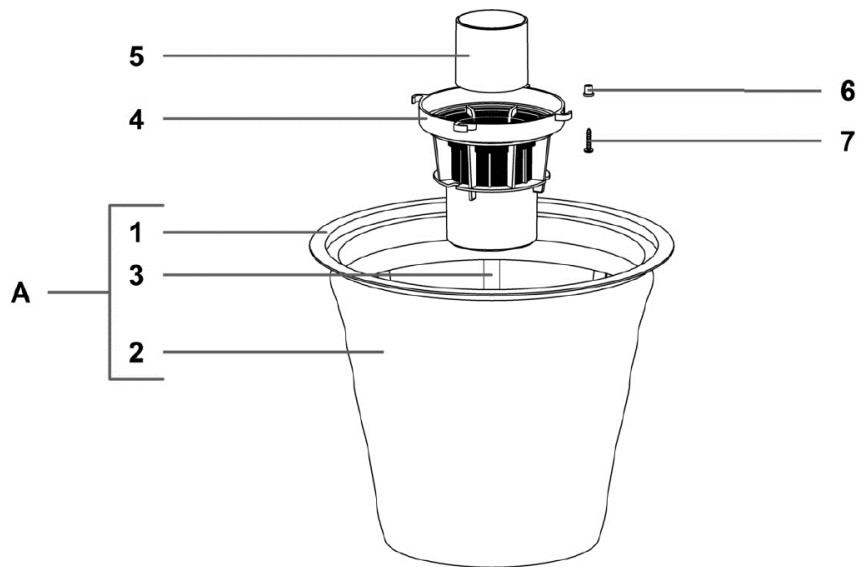
| Code | Part No. | Description | QTY |
|--------|-----------|---|-----|
| ▽ | KTRIO5734 | HOUSING ASSY, POWER, HEAD [V-WD-62 JPN] | 1 |
| ▲ ▽ | KTRIO5703 | COVER KIT, VACUUM, TEAL [V-WD-62 JPN] | 1 |
| ▲ ▲ 1 | N/A | HANDLE VEGAS GRIGIO 5500 | 1 |
| ▲ ▲ 2 | N/A | HANDLE PIN VEGAS | 2 |
| ▲ ▲ 7 | 1021628 | SCREW PFU TMT PHL 5X20 BLACK | 2 |
| ▲ ▲ 8 | N/A | SCREW PFU TMT PHL 5X25 ZN BLACK | 2 |
| ▲ ▲ 9 | N/A | COVER VEGAS 600 BL-TEN 1 INT | 1 |
| ▲ ▽ | KTRIO5696 | CORD KIT, POWER, 100VAC [JPN] | 1 |
| ▲ ▲ 3 | N/A | ELECTRIC CORD 2X1,25 MT.8,5 JAP | 1 |
| ▲ ▲ 4 | 1021625 | LEAD | 1 |
| ▲ ▲ 5 | 1021626 | BLOCK, STRAINRELIEF | 1 |
| ▲ ▲ 6 | 1021628 | SCREW PFU TMT PHL 5X20 BLACK | 1 |
| ▲ ▽ | KTRIO5699 | TERMINAL KIT, W/WIRES [100VAC Model] | 1 |
| ▲ ▲ 10 | 1021706 | SCREW PAT TMT PHL 5X14 ZN BLACK | 2 |
| ▲ ▲ 11 | N/A | TERMINAL BOARD 400-600 2P 1MOT | 1 |
| ▲ 12 | 1021646 | SWITCH [100VAC MODEL] | 1 |
| ▲ 13 | 1021647 | FILTER MTP/65 H=15 D.95 | 2 |
| ▲ 14 | 1021710 | SCREW PAT TMT PHL 5X55 BLACK | 9 |
| ▲ 15 | 1021711 | GROMMET | 1 |
| ▲ 16 | 1021712 | PLUG, COVER | 1 |
| ▲ 17 | 1021713 | COVER, CENTER, TEAL | 1 |
| ▲ 18 | 1021651 | RING | 2 |
| ▲ 19 | 1021714 | SCREW PAT TMT PHL 5X40 BLACK | 9 |
| ▲ 20 | 1021714 | SCREW PAT TMT PHL 5X40 BLACK | 4 |
| ▲ 21 | N/A | MOTOR FASTENER 600 BLU-TEN | 1 |
| ▲ 22 | 1021628 | SCREW PFU TMT PHL 5X20 BLACK | 4 |
| ▲ ▽ | KTRIO5704 | MOTOR KIT, VACUUM, 100VAC | 1 |
| ▲ ▲ 24 | N/A | MOTOR, 100V | 1 |
| ▲ ▲ NS | N/A | CABLAGGIO 50CM MOTORE POKE-IN | 1 |
| ▲ ▲ NS | N/A | CLAMP (NOT SHOWN) | 2 |
| ▲ ▽ | KTRIO5712 | GASKET KIT, MOTOR [JP MODEL] | 1 |
| ▲ ▲ 23 | 1021657 | RING, BOTTOM, MOTOR | 1 |
| ▲ ▲ 25 | 1021657 | RING, BOTTOM, MOTOR | 1 |
| ▲ 26 | 1021628 | SCREW PFU TMT PHL 5X20 BLACK | 8 |
| ▲ 27 | 1021657 | RING, BOTTOM, MOTOR | 2 |
| ▲ 28 | N/A | FAKE MOTOR | 2 |
| ▲ 29 | 1021720 | DAMPER, SOUND | 3 |
| ▲ ▽ | KTRIO5705 | BASE, HOUSING, GRAY [100V MODEL] | 1 |
| ▲ ▲ 30 | 1021721 | DAMPER, SOUND | 3 |
| ▲ ▲ 31 | 1021723 | PLUG, COVER | 2 |
| ▲ ▲ 32 | N/A | BASE 600/400 C/GUA G55 | 1 |
| ▲ NS | N/A | LABEL, SAFETY, READ MANUAL [CE] | 1 |
| ▲ NS | N/A | LABEL, LOGO, TENNANT | 1 |

▽ KIT

▲ INCLUDED IN KIT

N/A = NOT AVAILABLE SEPARATELY - MUST ORDER KIT

MAIN FILTER ASSEMBLY



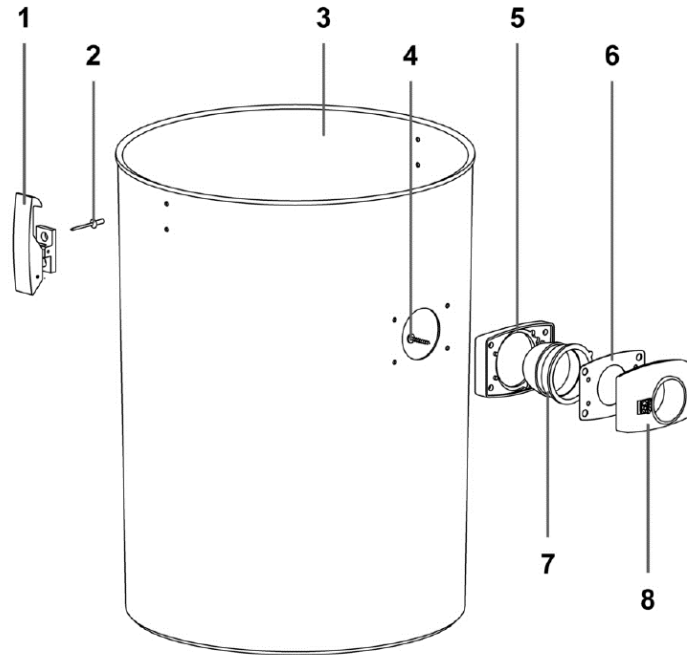
| Code | Part No. | Description | QTY |
|------|-----------|----------------------------------|-----|
| ▽ A | KTRIO5840 | FILTER KIT, VACUUM | 1 |
| ▲ 1 | 1021730 | RING, FILTER | 1 |
| ▲ 2 | N/A | FILTER POLY AN4-600 CON REG H320 | 1 |
| ▲ 3 | 1021731 | SUPPORT, FILTER, BASKET | 1 |
| ▽ | KTRIO5850 | FLOAT KIT, BASKET | 1 |
| ▲ 4 | 9008810 | FILTER, VACUUM | 1 |
| ▲ 5 | 1021666 | FLOAT | 1 |
| ▲ 6 | 1021661 | SPACER | 4 |
| ▲ 7 | 1021663 | SCREW PAT TMT PHL 5X25 | 4 |

▽ KIT

▲ INCLUDED IN KIT

N/A = NOT AVAILABLE SEPARATELY - MUST ORDER KIT

TANK ASSEMBLY



| Code | Part No. | Description | QTY |
|-------|-----------|--|-----|
| ▽ | KTRI05735 | TANK KIT, VACUUM [V-WD-62 COMPLETE ASSY] | |
| ▲ ▽ | KTRI05678 | LATCH KIT, VACUUM [QTY 2] | |
| ▲ ▲ 1 | N/A | HOOK PLAST.COMPL. GI-VAC | 2 |
| ▲ ▲ 2 | N/A | RIVET 4,8X17 | 4 |
| ▲ 3 | N/A | DRUM 400 PL NE F/BOCC.+GANCI+S | 1 |
| ▲ ▽ | KTRI05677 | FITTING KIT, HOSE, INLET | |
| ▲ ▲ 4 | 1021640 | SCREW PAT TMT PHL 5X30 BLACK | 4 |
| ▲ ▲ 5 | N/A | GASKET R 205 BLACK | 1 |
| ▲ ▲ 6 | 1021675 | GASKET | 1 |
| ▲ ▲ 7 | 1021685 | INLET, TANK | 1 |
| ▲ ▲ 8 | N/A | PIPE UNION R155 NERO C/PUL.GI-VAC | 1 |
| ▲ NS | N/A | LABEL, MODEL [V-WD-62] | 2 |

▽ KIT

▲ INCLUDED IN KIT

N/A = NOT AVAILABLE SEPARATELY - MUST ORDER KIT

LABEL KIT



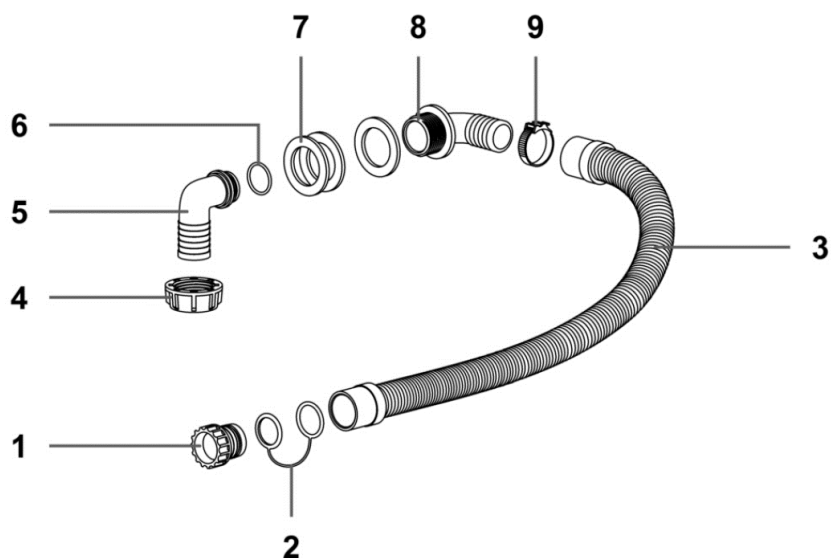
| Code | Part No. | Description | QTY |
|------|-----------|---------------------------------|-----|
| ▽ | KTRI05711 | LABEL KIT, VACUUM [V-WD-62] | 1 |
| ▲ 1 | N/A | LABEL, LOGO, TENNANT | 1 |
| ▲ 2 | N/A | LABEL, SAFETY, READ MANUAL [CE] | 1 |
| ▲ 3 | N/A | LABEL, MODEL [V-WD-62] | 2 |

▽ KIT

▲ INCLUDED IN KIT

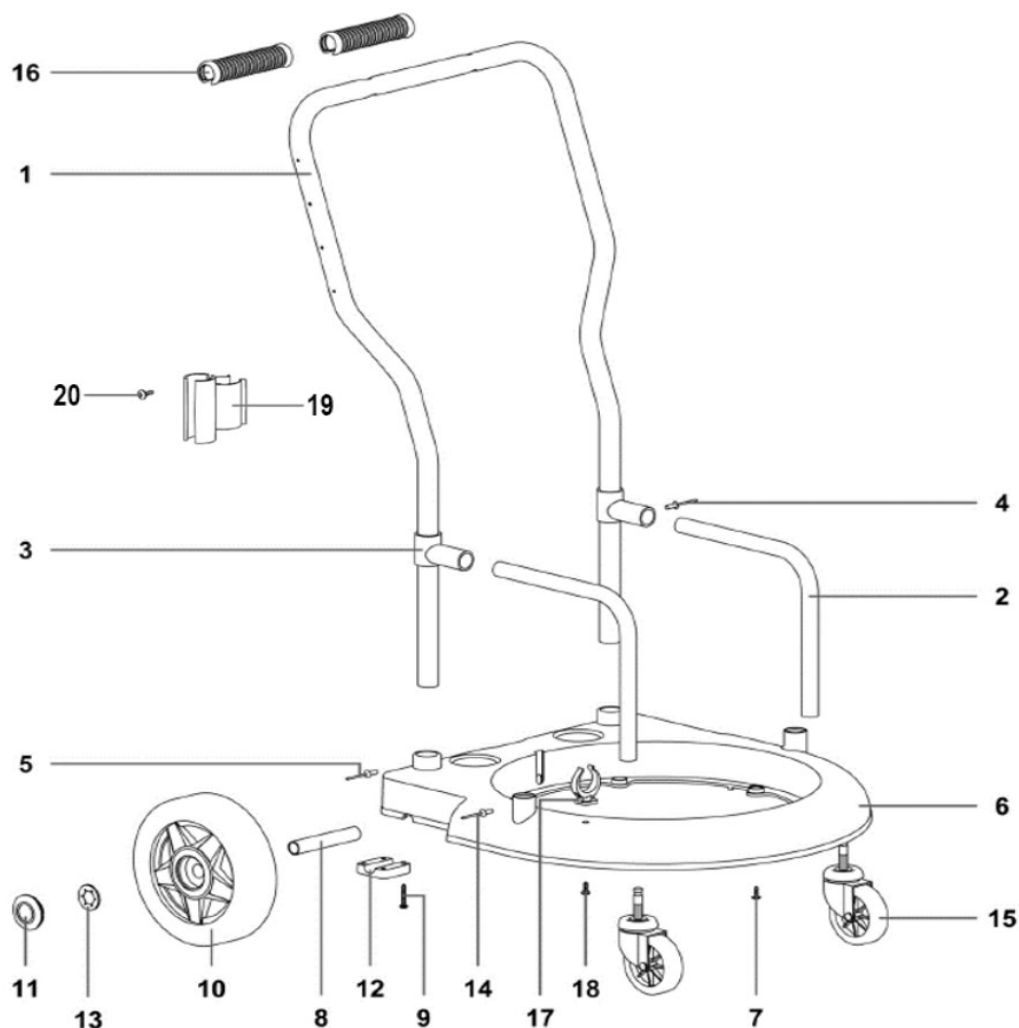
N/A = NOT AVAILABLE SEPARATELY - MUST ORDER KIT

DRAIN HOSE ASSEMBLY



| Code | Part No. | Description | QTY |
|---|-----------------|---------------------------------------|-----|
| ▽ | KTRIO5660 | HOSE KIT, DRAIN, W/CAP | 1 |
| ▲ | 1 | N/A PLASTIC TOP D.40 X 35 W/OR COMPL. | 1 |
| ▲ | 2 | N/A TIE ROD CAP | 1 |
| ▲ | 3 | N/A DRAIN TUBE D.34 L=600 | 1 |
| ▲ | 9 | N/A CLIP 300X9 | 1 |
| ▽ | KTRIO5710 | FITTING KIT, DRAIN HOSE | 1 |
| ▲ | 4 | N/A CONNECTION 1-1/4" | 1 |
| ▲ | 5 | N/A HOLDER UNION, PP | 1 |
| ▲ | 6 | N/A O-RING 28 X 2,5 NBR | 1 |
| ▲ | 7 | N/A GASKET 60X40X4 | 3 |
| ▲ | 8 | N/A HOLDER UNION CURVED 90°1-1/4, PP | 1 |
| ▽ | KIT | | |
| ▲ | INCLUDED IN KIT | | |
| N/A = NOT AVAILABLE SEPARATELY - MUST ORDER KIT | | | |

TROLLEY ASSEMBLY



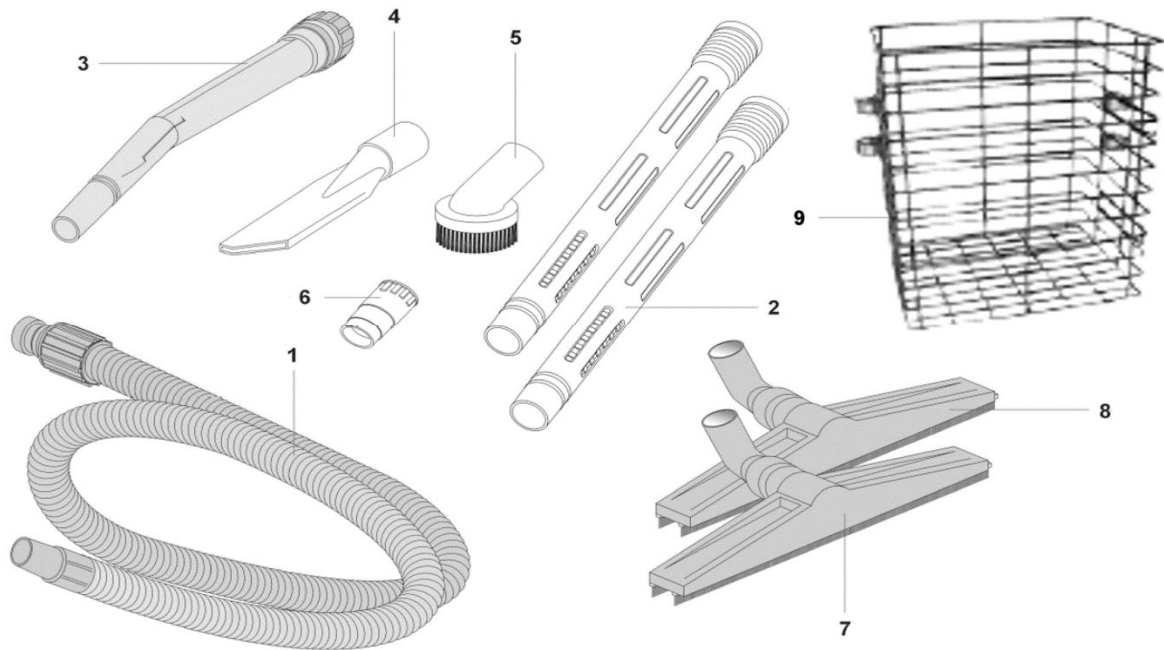
| Code | Part No. | Description | QTY |
|------|-----------|---|-----|
| ▽ | KTRIO5926 | CART, VACUUM [V-WD-62] | |
| ▲ | 1 | N/A HANDLE MARKET 400 BLACK | 1 |
| ▲ | 2 | N/A VARNISHED SUPPORT TUBE | 2 |
| ▲ | 3 | N/A "T" TUBE | 2 |
| ▲ | 4 | N/A RIVET 4,8X17 BLACK | 2 |
| ▲ | 5 | N/A RIVET 4,8X17 BLACK | 2 |
| ▲ | 6 | N/A TROLLEY BODY 400 MARKET B | 1 |
| ▲ | 7 | 1021706 SCREW PAT TMT PHL 5X14 ZN BLACK | 6 |
| ▲ ▽ | KTRIO5736 | WHEEL KIT, CART [V-WD-62] | 1 |
| ▲ ▲ | 8 | N/A WHEEL PIN D.18X105 SP.1.5 ZN | 2 |
| ▲ ▲ | 9 | 1021640 SCREW PAT TMT PHL 5X30 BLACK | 8 |
| ▲ ▲ | 10 | N/A REAR WHEEL D.200 | 2 |
| ▲ ▲ | 11 | 1021750 PLUG | 2 |
| ▲ ▲ | 12 | 1021753 LOCK PIVOT BRACKET | 2 |
| ▲ ▲ | 13 | N/A BLOC. D.18 | 2 |
| ▲ | 14 | N/A RIVET 4,8X17 BLACK | 2 |
| ▲ | 15 | N/A CASTER, FRONT | 2 |
| ▲ | 16 | 1021755 GRIP, TROLLEY HANDLE [QTY 2] | 2 |
| ▲ ▽ | KTRIO5927 | CLIP KIT, DRAIN HOSE | 1 |
| ▲ ▲ | 17 | N/A CLIP | 1 |
| ▲ ▲ | 18 | 1021706 SCREW PAT TMT PHL 5X14 ZN BLACK | 1 |
| ▲ ▽ | KTRIO2728 | CLIP KIT, HANDLE, D.25 | 1 |
| ▲ ▲ | 19 | N/A CLIP D36-38 BLACK | 2 |
| ▲ ▲ | 20 | 1021706 SCREW PAT TMT PHL 5X14 ZN BLACK | 4 |

▽ KIT

▲ INCLUDED IN KIT

N/A = NOT AVAILABLE SEPARATELY - MUST ORDER KIT

ACCESSORY TOOLS



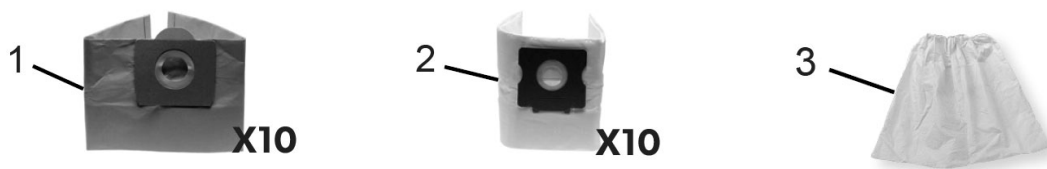
| Code | Part No. | Description | QTY |
|------|-----------|--------------------------------------|-----|
| 1 | KTRIO5803 | HOSE ASSY, VACUUM, 2.5M, Ø38 MM | 1 |
| 2 | KTRIO5786 | WAND SET, VACUUM, TWO-PIECE | 2 |
| 3 | KTRIO5804 | HANDLE, VACUUM HOSE W/ REG, Ø38 MM | 1 |
| ▽ | KTRIO5608 | TOOL KIT, VACUUM, Ø38 MM | 1 |
| ▲ | 4 | 1021757 FLAT LANCE D.38 | 1 |
| ▲ | 5 | 1021758 ROUND TOOL D.38 / small box | 1 |
| ▲ | 8 | 1064521 PVC ADAPTOR D.38 | 1 |
| | 6 | 1064519 TOOL, FLOOR, DRY, Ø38 MM | 1 |
| | 7 | 1064520 TOOL, FLOOR, WET, Ø38 MM | 1 |
| | 9 | KTRIO5937 TOOL HOLDER [OPTIONAL] | 1 |
| NS | KTRIO5821 | TOOL, FLOOR, CARPET 38 MM [OPTIONAL] | 1 |

▽ KIT

▲ INCLUDED IN KIT

N/A = NOT AVAILABLE SEPARATELY - MUST ORDER KIT

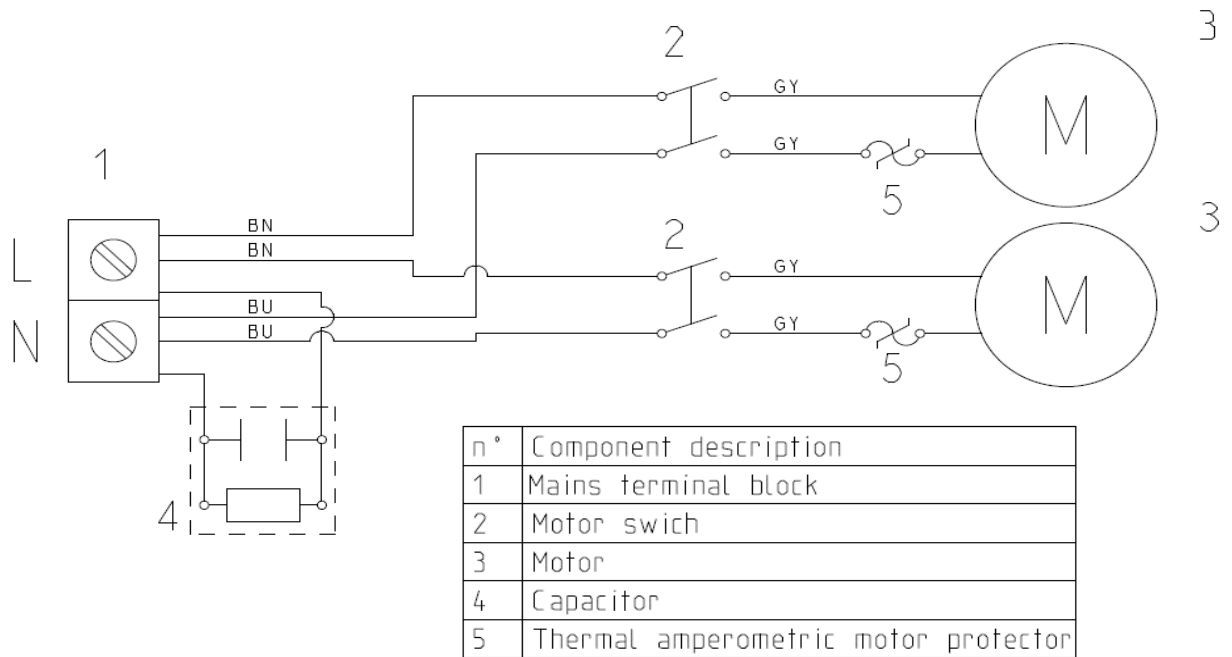
VACUUM BAGS AND FILTERS



| Code | Part No. | Description | Qty |
|------|-----------|---|-----|
| 1 | KTRIO2912 | BAG, VACUUM, PAPER [1 PKG = 10 BAGS] | 1 |
| 2 | KTRIO5851 | BAG, VACUUM, MICROFIBER [1 PKG=10 BAGS] | 1 |
| 3 | KTRIO5846 | FILTER, VACUUM, PRE-FILTER | 1 |

ELECTRICAL DIAGRAMS

EU/UK/CN/ANZ 220-240V MODELS



JAPAN 100V MODEL

